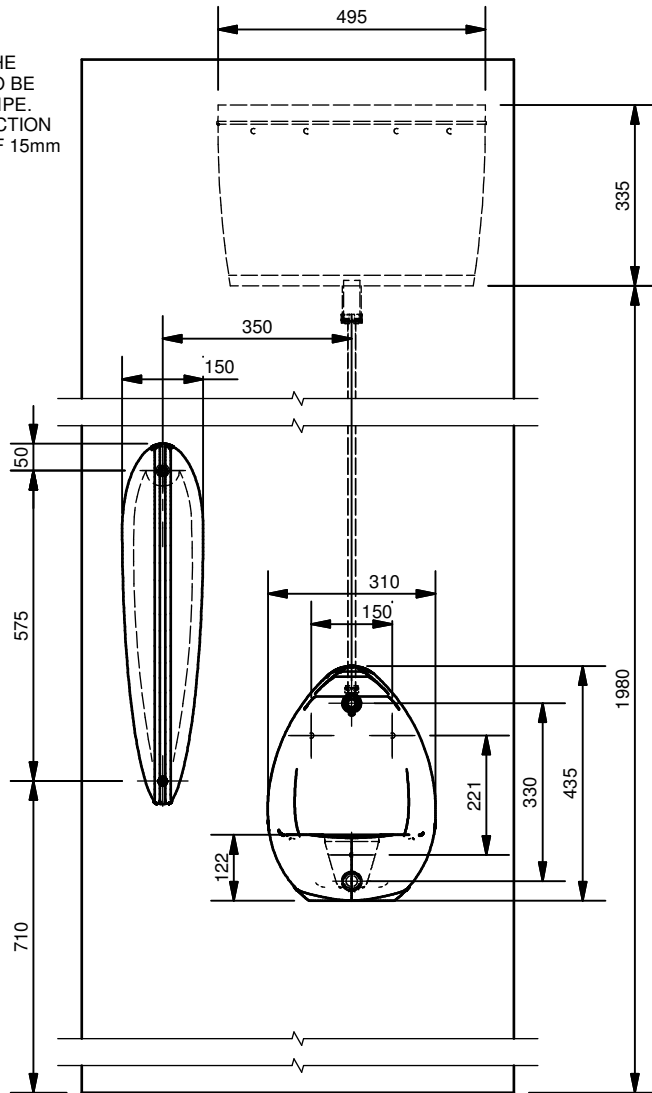


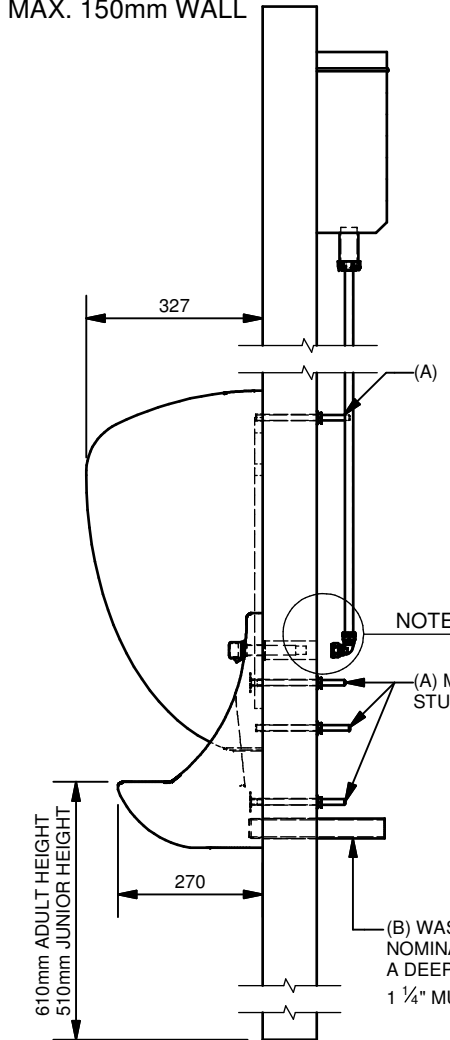
RECOMMENDED HOLE SIZES:
 (A) $\varnothing 15\text{mm}$ FOR M10 FIXING STUDS
 (B) $\varnothing 50\text{mm}$ FOR 34mm WASTE PIPE.
 (C) $\varnothing 35\text{mm}$ FOR $\frac{1}{2}$ " BSP CONNECTOR.

NOTES:
 1. FOR WALLS OVER 30mm THICK, THE SPARGE PIPE NOZZLE WILL NEED TO BE EXTENDED TO MEET THE SPARGE PIPE. (A 15mm STRAIGHT SOLDER CONNECTION WITH THE APPROPRIATE LENGTH OF 15mm PIPE IS REQUIRED).

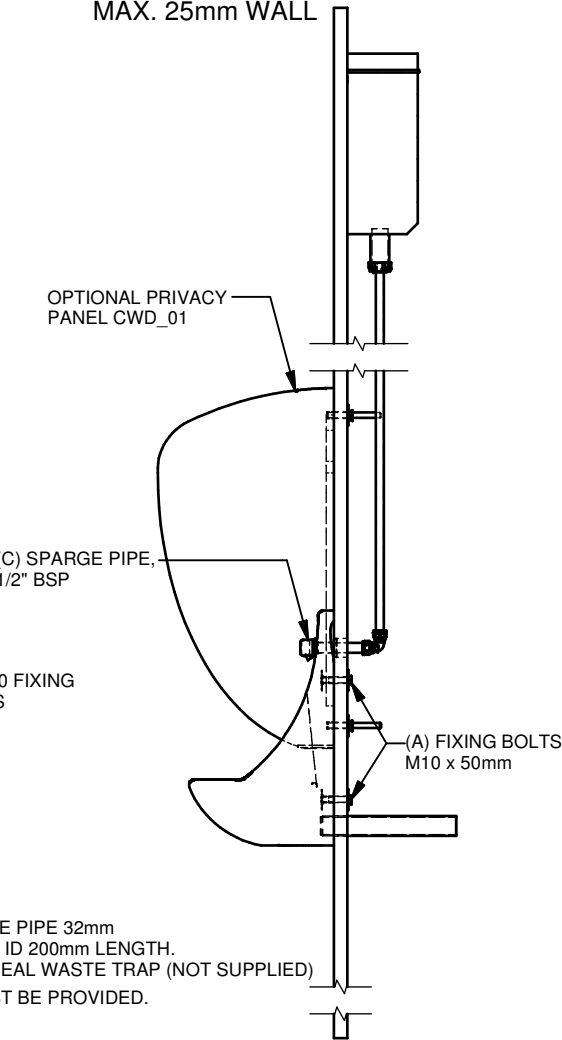
REVISION HISTORY				
REV	DATE	DESCRIPTION	BY	CHKD
6	13.01.2009	TRAP REMOVED	RD	



CWU_01
 MAX. 150mm WALL



CWU_02
 MAX. 25mm WALL



© 2008 Copyright THIS DRAWING IS THE PROPERTY OF WALLGATE LIMITED AND IS ISSUED ON THE STRICT UNDERSTANDING THAT THE INFORMATION CONTAINED WILL NOT BE REPRODUCED, COPIED OR USED WITHOUT PRIOR AGREEMENT OF WALLGATE LTD.

Wallgate

TITLE: CONCEALED CISTERN URINAL INSTALLATION
Drg No: INS_CWU_01 & 02
 Model/Client/Project:

MATERIAL:
FINISH:

Limits: (unless stated)
 ± 0.25mm (sheetmetal)
 ± 0.10mm (machined)
 ± 2.00mm (pattern)
 ± 5.00mm (moulded)

All dimensions in mm,
 All angles 90° (unless stated)
Scale: NTS
A4 3rd